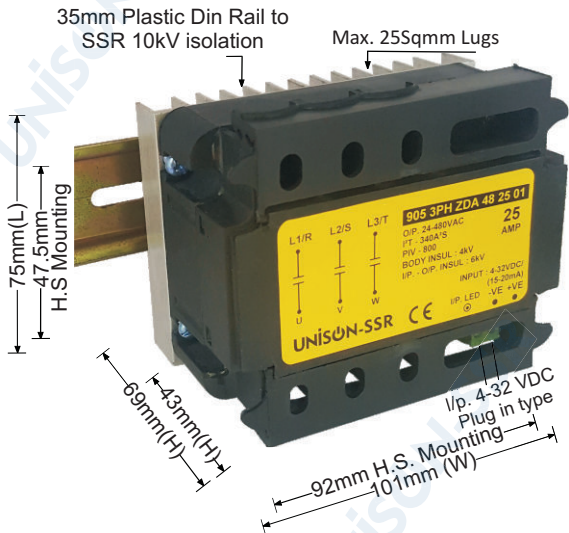


3PHASE DC TO AC INPUT SSR - ON/OFF - MODEL 905

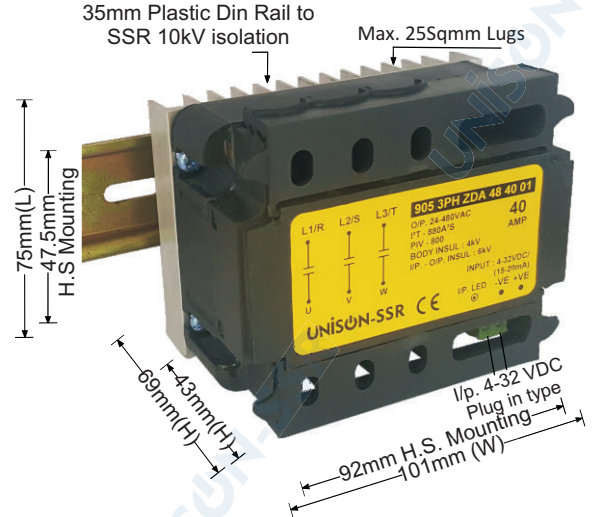
25AMP-MODEL 905 3PH ZDA 48 25 01 WITH "E-75" H.S.



Weight: 390gms SSR + 120gms Heat sink

Model 905 3PH - 25Amp
 Input : 4-32VDC, 15-20mA, Plug in Type
 Input LED Indication : **Green**
 Output : 24-480VAC (47-63 Hz)
 PIV : 800Vpk,
 I²T : 340A²S for 9.6mS
 Body isolation : 4kV for 1min
 I/P. to O/P. isolation : 6kV for 1min
 Inbuilt surge voltage protection of 2700Vrms
 Load Current : 7AmpX3=21Amp @55 °C
 Load up to : 2 Hp Motor
 With Heat Sink E-75+Din
 Zero Cross Over SSR

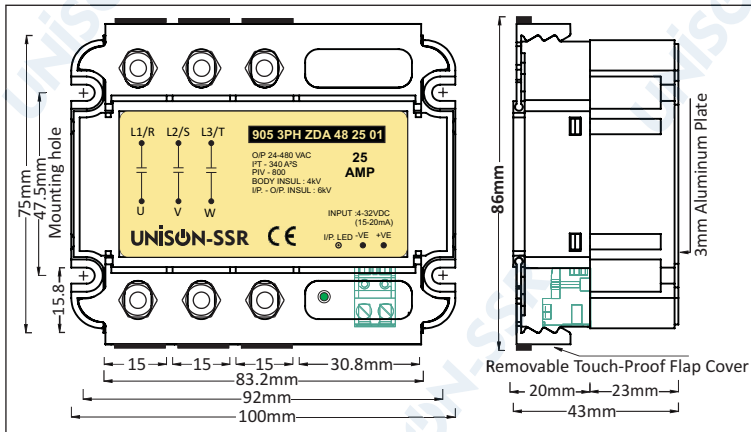
40AMP-MODEL 905 3PH ZDA 48 40 01 WITH "E-75" H.S.



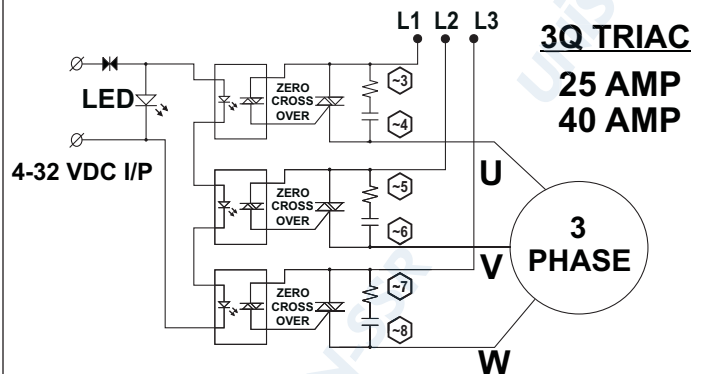
Weight: 390gms SSR + 120gms Heat sink

Model 905 3PH - 40Amp
 Input : 4-32VDC, 15-20mA, Plug in Type
 Input LED Indication : **Green**
 Output : 24-480VAC (47-63 Hz)
 PIV : 800Vpk
 I²T : 880A²S for 9.6mS
 Body isolation : 4kV for 1min
 I/P. to O/P. isolation : 6kV for 1min
 Inbuilt surge voltage protection of 2700Vrms
 Load Current : 7AmpX3=21Amp @55 °C
 Load up to : 3 Hp Motor
 With Heat Sink E-75+Din
 Zero Cross Over SSR

3 PH DC TO AC I/P SSR MODEL DIMENSION

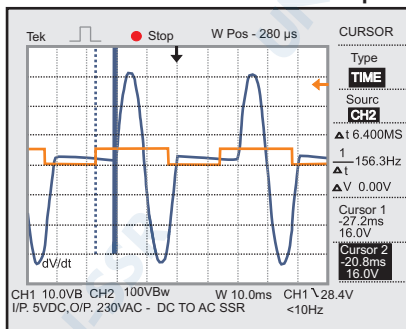


3 PH DC TO AC I/P SSR BLOCK DIAGRAM



- ⇒ INBUILT Snubber for protect the Harmonic & Power Factor.
- ⇒ INBUILT TVS protect Surge Voltage.

Zero Crossover Waveform - Output



Approved By **LEAD - FREE**
CE **RoHS**
 EN-60947-5-1 **COMPLIANT**