

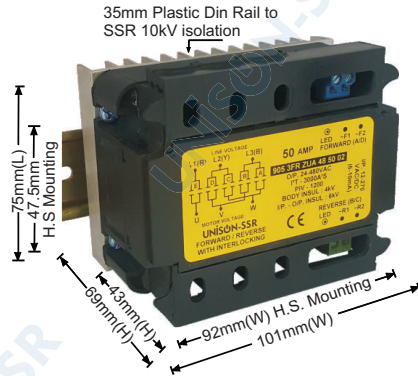
FORWARD & REVERSE WITH INTERLOCKING UNIVERSAL INPUT SOLID STATE RELAY - MODEL 905

25AMP-MODEL 905 3FR ZUA 48 25 02 WITH "E-75" H.S.



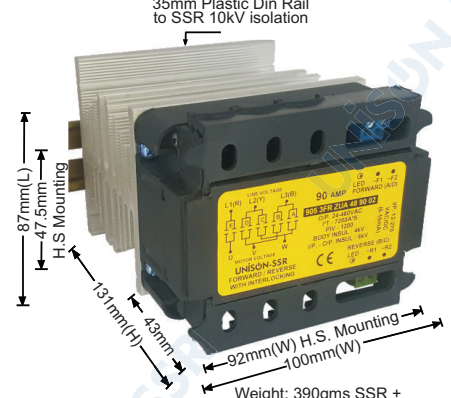
Weight: 370gms SSR + 120gms Heat sink

50AMP-MODEL 905 3FR ZUA 48 50 02 WITH "E-75" H.S.



Weight: 390gms SSR + 120gms Heat sink

90AMP-MODEL 905 3FR ZUA 48 90 02 WITH "A-100" H.S.



Weight: 390gms SSR + 690gms Heat sink

Model 905 3FR - 25Amp
Zero Cross Over SSR
Inbuilt Snubber

Plug in Type Forward Input : 12-270 VAC/DC, 6-10mA
Plug in Type Reverse Input : 12-270 VAC/DC, 6-10mA
Forward Input signal LED Indication : **Red**
Reverse Input signal LED Indication : **Green**
Input AC Signal frequency : 15-65 Hz
Interlocking Within : 520 μ s
If Forward and Reverse Input Simultaneously given then 3PH O/P is 'OFF' within 520 μ s
Output : 24-480VAC (47-63 Hz)
PIV : 1200Vpk, I^T : 3400A^S for 9.6MS
Body isolation : 4kV for 1min
I/P. to O/P. isolation : 6kV for 1min
Load Upto 1.5 HP Motor
With Heat Sink E-75 +Din

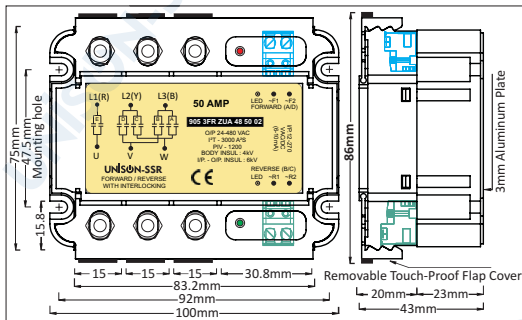
Model 905 3FR - 50Amp
Zero Cross Over SSR
Inbuilt Snubber

Plug in Type Forward Input : 12-270 VAC/DC, 6-10mA
Plug in Type Reverse Input : 12-270 VAC/DC, 6-10mA
Forward Input signal LED Indication : **Red**
Reverse Input signal LED Indication : **Green**
Input AC Signal frequency : 15-65 Hz
Interlocking Within : 520 μ s
If Forward and Reverse Input Simultaneously given then 3PH O/P is 'OFF' within 520 μ s
Output : 24-480VAC (47-63 Hz)
PIV : 1200Vpk, I^T : 3000A^S for 9.6MS
Body isolation : 4kV for 1min
I/P. to O/P. isolation : 6kV for 1min
1)Load Upto 3 HP Motor
With Heat Sink E-75 +Din
2)Load Upto 5 HP Motor
With Heat Sink A-100 +Din

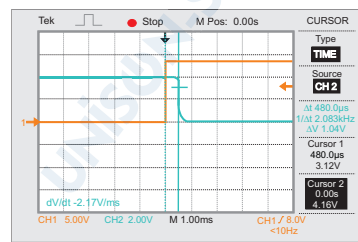
Model 905 3FR - 90Amp
Zero Cross Over SSR
Inbuilt Snubber

Plug in Type Forward Input : 12-270 VAC/DC, 6-10mA
Plug in Type Reverse Input : 12-270 VAC/DC, 6-10mA
Forward Input signal LED Indication : **Red**
Reverse Input signal LED Indication : **Green**
Input AC Signal frequency : 15-65 Hz
Interlocking Within : 520 μ s
If Forward and Reverse Input Simultaneously given then 3PH O/P is 'OFF' within 520 μ s
Output : 24-480VAC (47-63 Hz)
PIV : 1200Vpk, I^T : 7200A^S for 9.6MS
Body isolation : 4kV for 1min
I/P. to O/P. isolation : 6kV for 1min
1)Load Upto 3 HP Motor
With Heat Sink E-75 +Din
2)Load Upto 7.5 HP Motor
With Heat Sink A-100 +Din

905 3PH FOR.-REV. MODEL DIMENSION

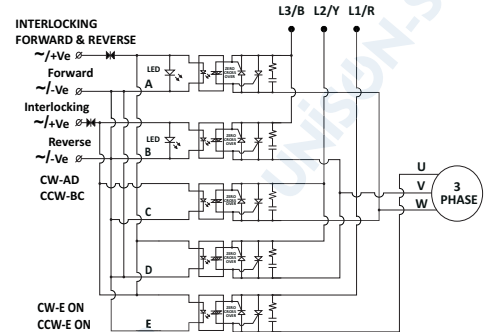


3FR Interlocking Waveform of ZUA

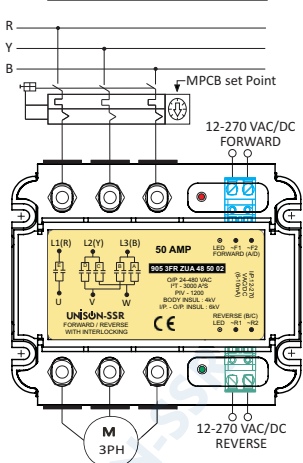


Interlocking Time Period $\leq 520 \mu$ s

Circuit Diagram- 905 Model 3FR UNI TO AC



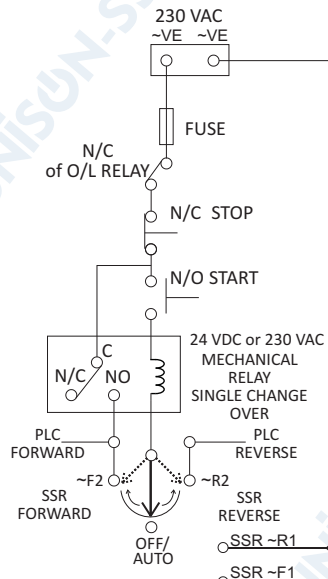
3 Phase Forward & Reverse Connection with MPCB



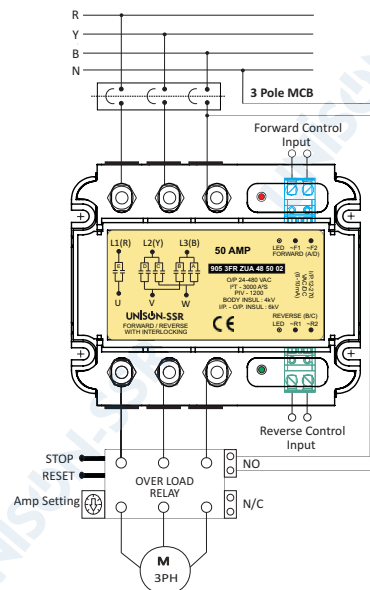
MPCB Protection

- Motor Protection
- Circuit Breaker
- Single Phase Preventer
- Over Load setting Range
- Manually Start Button
- Manually Stop Button

Available Make
- GE make
- Telemcanique
- Siemens



3 Phase Forward & Reverse Connection with Overload RELAY



3 Phase Forward & Reverse Connection with Overload RELAY



Approved By
CE
EN-60947-5-1

LEAD-FREE
RoHS
COMPLIANT